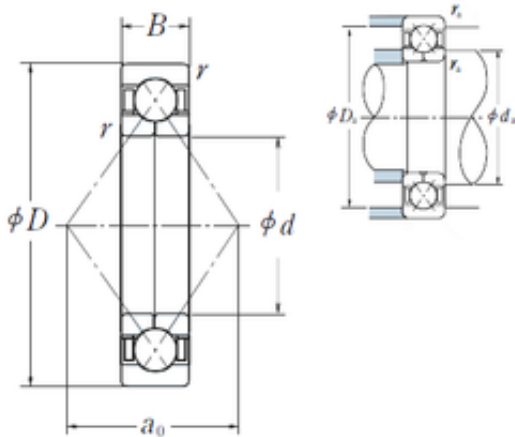




ELO Hydraulic Valve Components Co., ...



150 mm x 270 mm x 45 mm NSK QJ 230 JAPAN Bearing

Bearing No. QJ 230

Size	150x270x45 mm
Bore Diameter	150 mm
Outer Diameter	270 mm
Width	45 mm
d	150 mm
D	270 mm
B	45 mm
C	45 mm
Angle (°)	35 °
a	147 mm
r min.	3 mm
da min.	164 mm
da max	256 mm
ra max.	2,5 mm
Weight	12 Kg
Basic dynamic load rating (C)	360 kN
Basic static load rating (C0)	925 kN
(Grease) Lubrication Speed	1 800 r/min

QJ 230 Bearing 2D drawings and 3D CAD models